

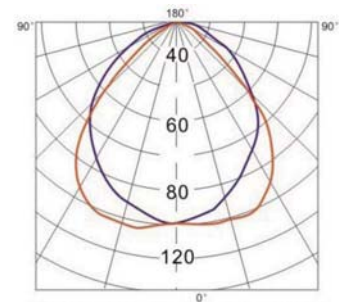
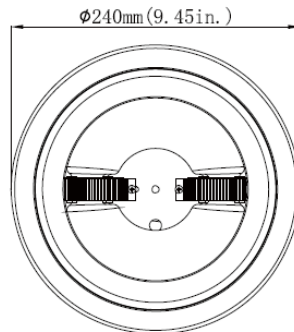
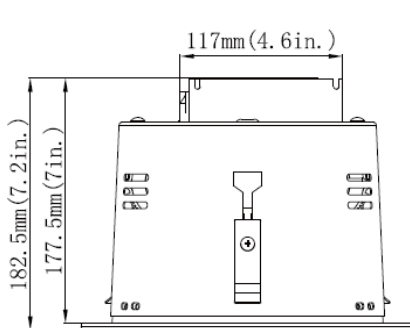
# ULTRA-TECH™ LIGHTING



## SCBT-CAN-40/60/80W3A



- School-Bright™ LUMENEC® tuned spectrum
- Color Rendition Index (CRI) > .95
- 100,000 hour life cycle
- 110V ~ 277V auto-sensing ballast
- Instant strike/re-strike
- Large format full dispersion light source
- Full diffusion nano particle reflector
- Electrostatic spray coated aluminum
- Frosted or clear lens option



The School-Bright™ 60-watt dispersion ceiling can is ideal for classrooms, conference rooms, hallways, presentation rooms, and auditoriums. The unique full spectrum full diffusion lamp is capable of replacing 200 to 250-watt high-hat PAR 38 ceiling can fixtures for energy savings of up to 70%. Available as 40W and 80W. Unique reflector geometry provides excellent dispersion over the intended area, allowing wider spacing between fixtures. Mercury is a solid encapsulated amalgam that makes School-Bright™ environmentally friendly and safe. No special handling is required. No hazardous material disposal is necessary.

School-Bright™ fixtures feature the Health-Bright™ spectrum that can improve academic performance between 5% and 20%. The SCBT-CAN-60W3A will not generate excessive heat and minimally impacts air conditioning loading. Equally important, it is safe to directly view and will not damage the eye.



# TECHNICAL SPECIFICATIONS

<b>MODEL</b>	<b>SCBT-CAN-60W3A</b>
RATED WATTAGE	60W
VOLTAGE RANGE	120V~277V ± 15%
CURRENT	0.5102A~0.2210A
FREQUENCY	50/60Hz
POWER FACTOR	0.98
IN-RUSH CURRENT	NEGLIGIBLE
RFI PART 15/18	SHIELDED
NOISE	<20dB
TYPE	MAGNETIC INDUCTION
COLOR RENDITION INDEX	> .95
COLOR TEMPERATURE	2100K~10000K UV TRUNCATED
CERTIFICATIONS	UL/UL-C/CCC/CE/FC/RoHS/CB
TEMPERATURE RANGE	-30°F ~ +140°F
RATING	INDOOR DRY LOCATION
FINISH	ELECTROSTATIC SPRAY
REFLECTOR	FULL-DIFFUSION NANO-PARTICLE
LUMENS PER WATT	95LPW~105LPW
VISUALLY EFFECTIVE LUMENS	277/W

FEATURES	MH	HPS	LED	School-Bright™	Other MIL
100,000 hour lifecycle (11 yrs @ 24hrs/365 days)	No	No	No	YES	Yes
Up to 70% energy savings	< 30%	None	Some	YES	Some
<b>LUMENTEC®</b> Technology	No	No	No	YES	No
Instant strike - no warm up or cool down	No	No	Yes	YES	Yes
Full Spectrum with CRI > .95	Few	No	No	YES	Some
Color Temperatures 2100K~10000K	Rare	No	Rare	YES	Some
Exceptionally high power factor > .95	No	No	Some	YES	Some
Negligible "In-Rush" current	No	No	No	YES	YES
Unparalleled Warranty 5 years 50K hrs	No	No	Some	YES	Some
Fully recyclable, no special disposal	No	No	No	YES	Yes
<b>Lease Financing Available</b>	No	No	No	YES	No

**Contact: Philip Gotthelf**  
**(201) 784-1233 x 100 (office)**  
**(201) 401-6068 (cell)**  
**P.O. Box 566, Closter, NJ 07624-0566**

